

FOUNDATION NOTES

1. DOWELS CANNOT BE WET SET AND MUST BE MACHINE BENT.
2. SPLICE BARS REQUIRED IN ALL WALL CORNERS/INTERSECTIONS, U.N.O.
3. ALL DOWELS ALTERNATE DIRECTION OF HOOKS INTO FOOTING, U.N.O.
4. ALL DOWELS TO HAVE MINIMUM 2'-0" PROJECTION ABOVE FOOTING, U.N.O.

FOUNDATION WALL TYPES

- FW1** NEW 8" WIDE CONCRETE FOUNDATION WALL
 - (2) 15M CONTINUOUS TOP BARS
 - 15M HORIZONTAL BARS @ 16" c/c
 - 15M VERTICAL BARS @ 16" c/c
 - 15M FOOTING DOWELS @ 16" c/c 8" LONG ALTERNATING HOOKS + MINIMUM 24" PROJECTION PAST TOP OF FOOTING
 - ALL WALL STEEL PLACED IN CENTER OF WALL
 24" WIDE x 10" DEEP CONCRETE STRIP FOOTING
 - (3) 15M CONTINUOUS BARS OR PAD FOOTING PER PLAN

- FW2** EXISTING 8" WIDE CONCRETE FOUNDATION WALL

PAD FOOTING SCHEDULE

- PF1** 4'-0"x4'-0"x10" CONCRETE PAD FOOTING c/w (5) 15M BARS EACHWAY CHAIRED 3" CLEAR OF GRADE
- PF2** 5'-0"x5'-0"x10" CONCRETE PAD FOOTING c/w (7) 15M BARS EACHWAY CHAIRED 3" CLEAR OF GRADE

PIER SCHEDULE

- CP1** 24"x16" CONCRETE PIER c/w 10M CLOSED-TIE STIRRUPS @ 8" c/c AROUND (8) 25M VERTICAL BARS c/w 12" LONG HOOKS UNDER FOOTING BARS
- CP2** 32"x16" CONCRETE PIER c/w 10M CLOSED-TIE STIRRUPS @ 8" c/c AROUND (8) 25M VERTICAL BARS c/w 12" LONG HOOKS UNDER FOOTING BARS



WILLERTON ENGINEERING

4408 28th STREET, VERNON, B.C.
 Phone : 250-542-5434
 email : admin@willerton.ca
 web : willerton.ca

© COPYRIGHT 2024
 WILLERTON ENGINEERING

CONSULTANTS

REVISIONS

NO.	DATE	DESCRIPTION
A	240502	COORDINATION
B	240712	TENDER

PROJECT

PROPOSED ADDITION OPTION 'A'

FOR

CITY OF SALMON ARM FIRE HALL #2 TRUCK BAY ADDITION

200 - 30th STREET SE
 SALMON ARM, BC

DRAWING

FOUNDATION PLAN

FILE 23-400

DATE 12 JULY 2024

SCALE 1/4" = 1'-0"

DESIGN BH

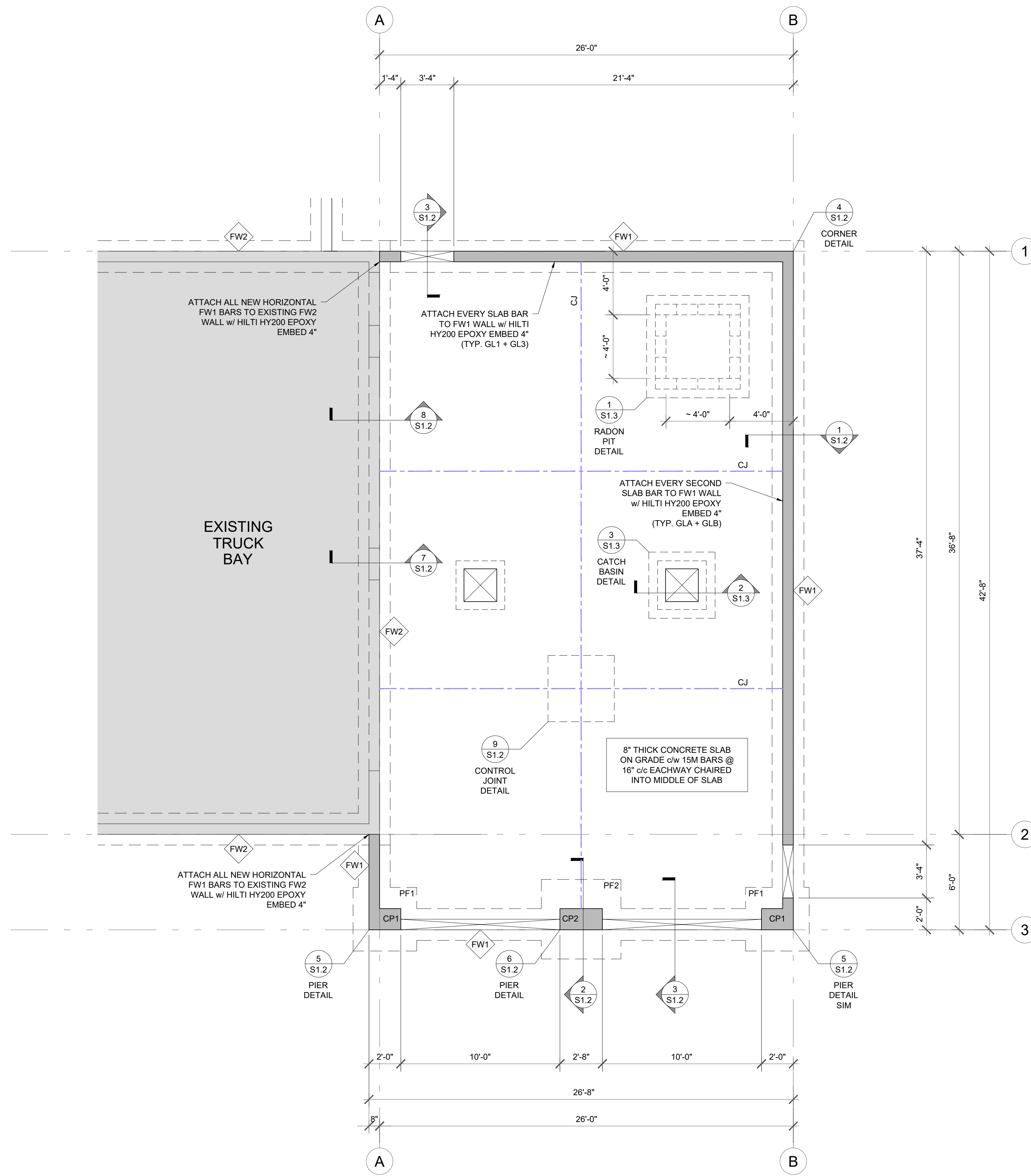
ENGINEER CW

SEAL

PERMIT TO PRACTICE No. 1001581

SHEET NUMBER REV

S1.1 B



1 FOUNDATION PLAN
 SCALE: 1/4"=1'-0"

REVISIONS		
NO.	DATE	DESCRIPTION
A	240502	COORDINATION
B	240712	TENDER

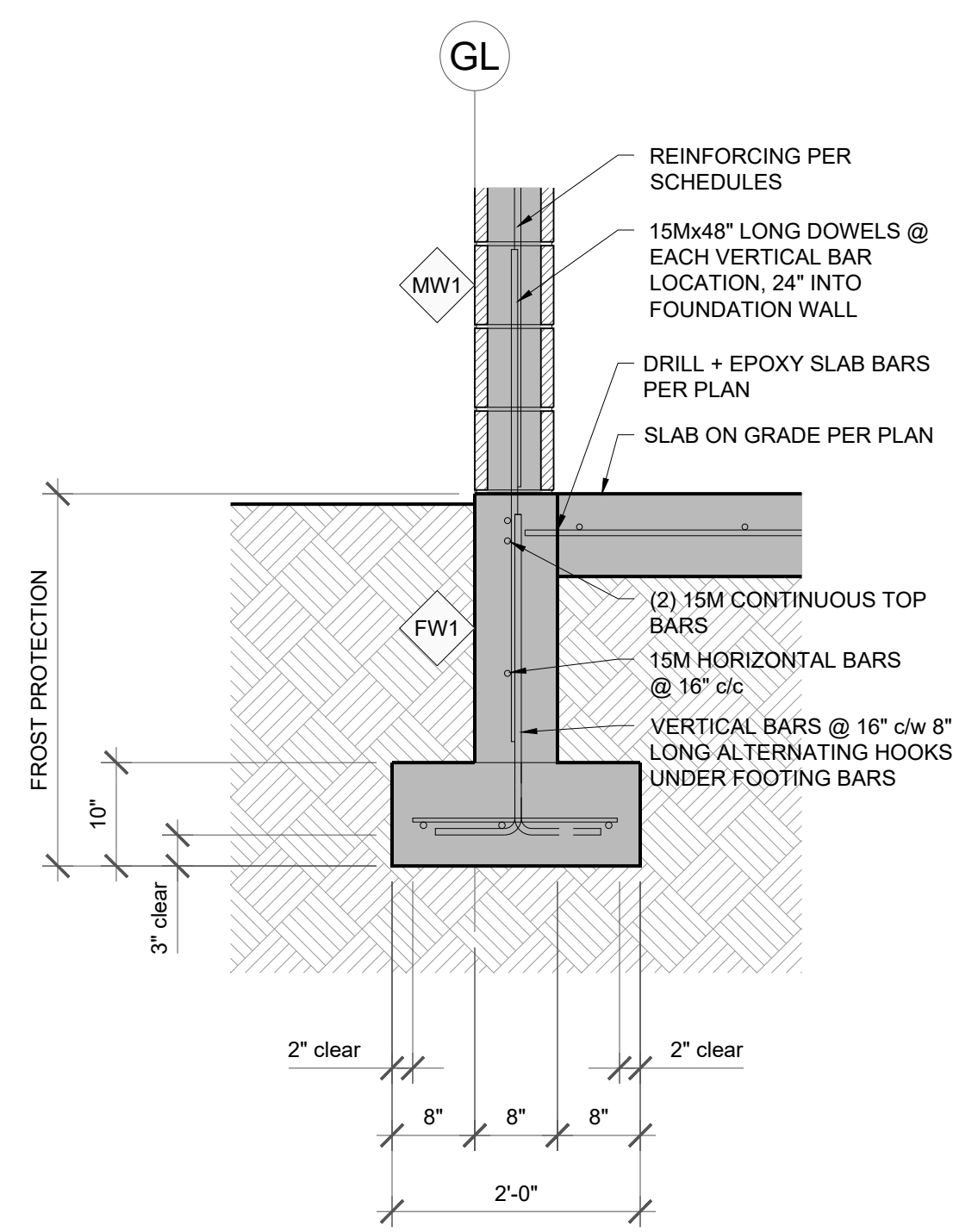
PROJECT
PROPOSED ADDITION OPTION 'A'
FOR
CITY OF SALMON ARM FIRE HALL #2 TRUCK BAY ADDITION
200 - 30th STREET SE
SALMON ARM, BC

DRAWING
FOUNDATION DETAILS

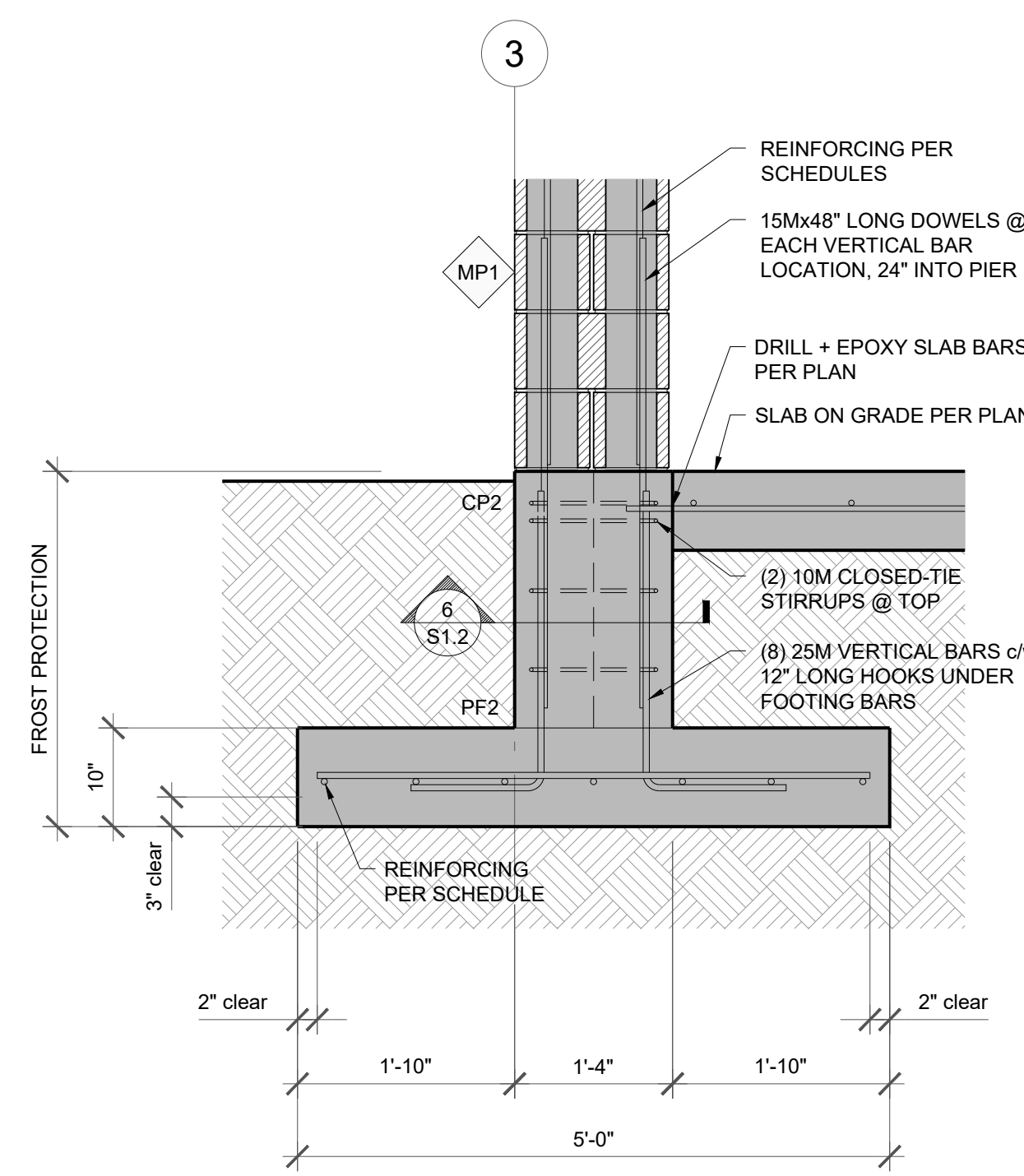
FILE
23-400
DATE
12 JULY 2024
SCALE
3/4" = 1'-0"
DESIGN
BH
ENGINEER
CW
SEAL

PERMIT TO PRACTICE No. 1001581
SHEET NUMBER
REV

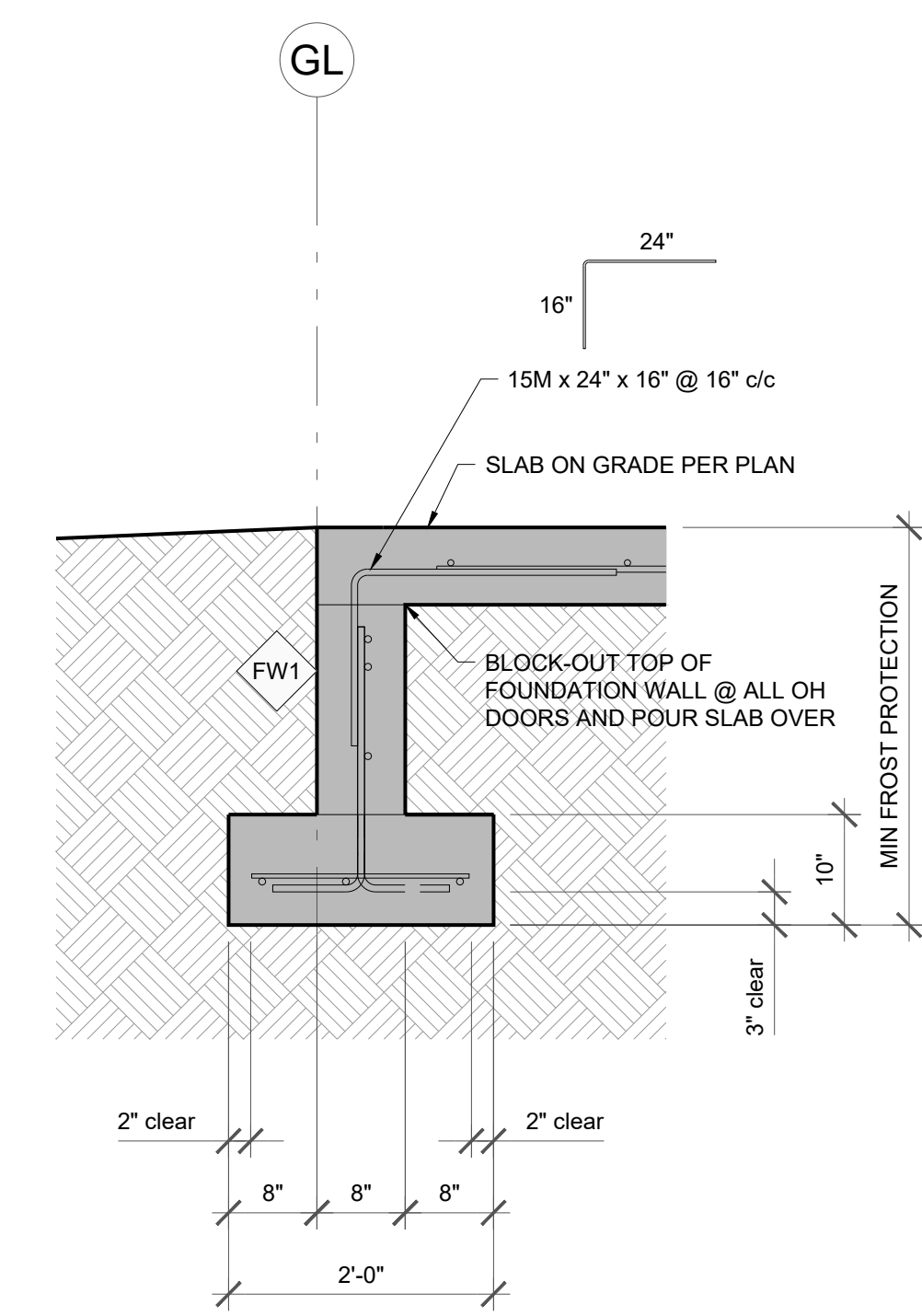
S1.2 B



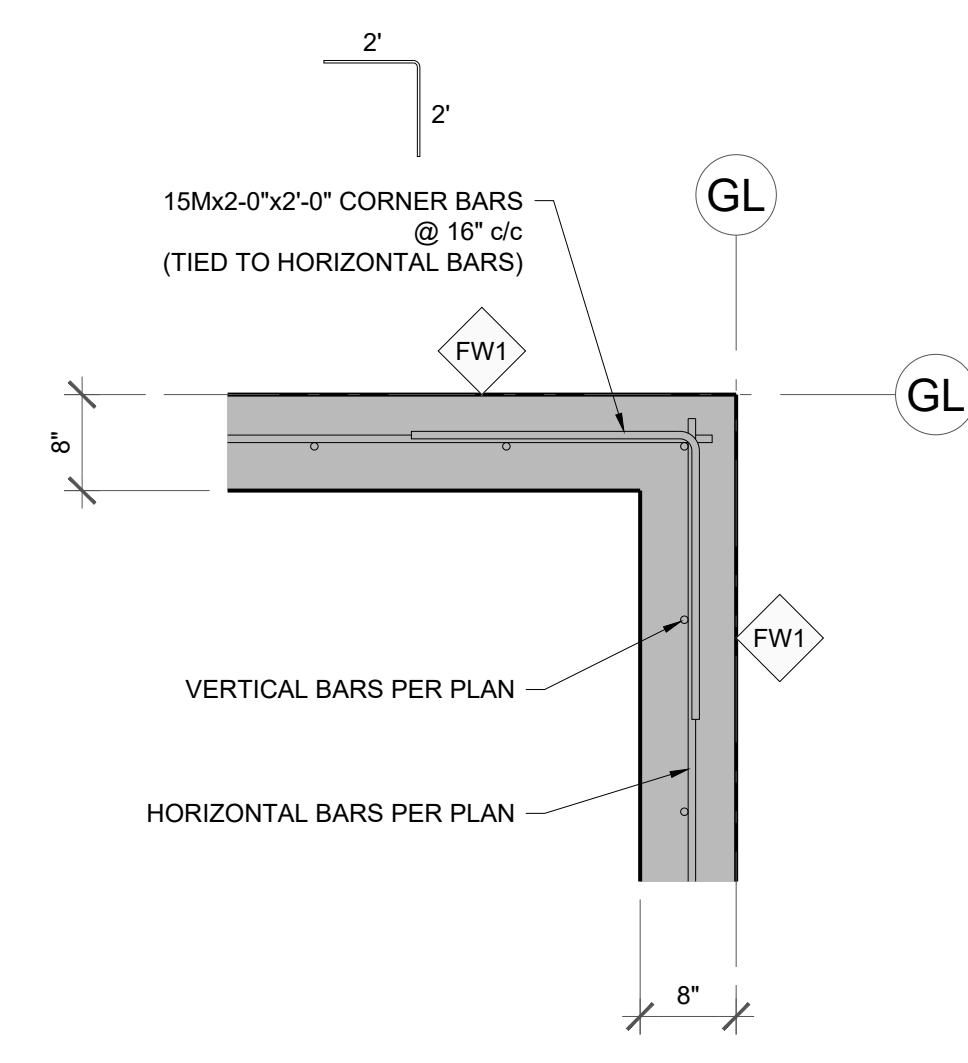
1 FOUNDATION DETAIL FW1
S1.1 SCALE: 3/4"=1'-0"



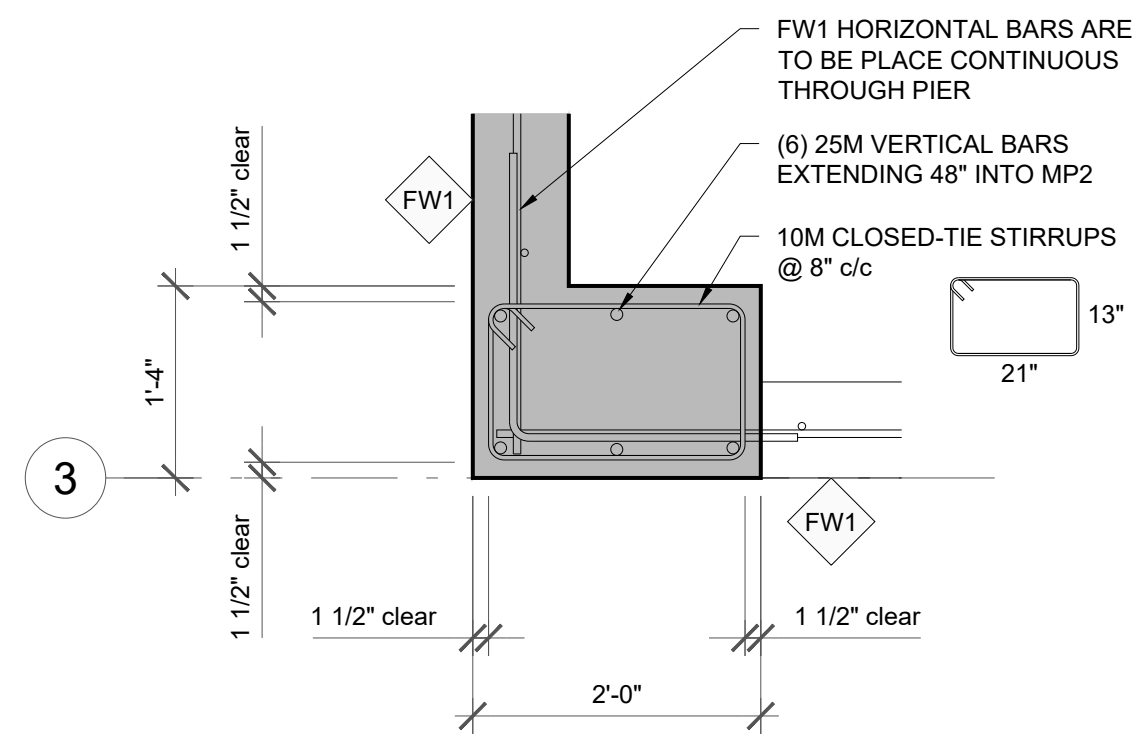
2 FOUNDATION DETAIL PF2
S1.1 SCALE: 3/4"=1'-0"



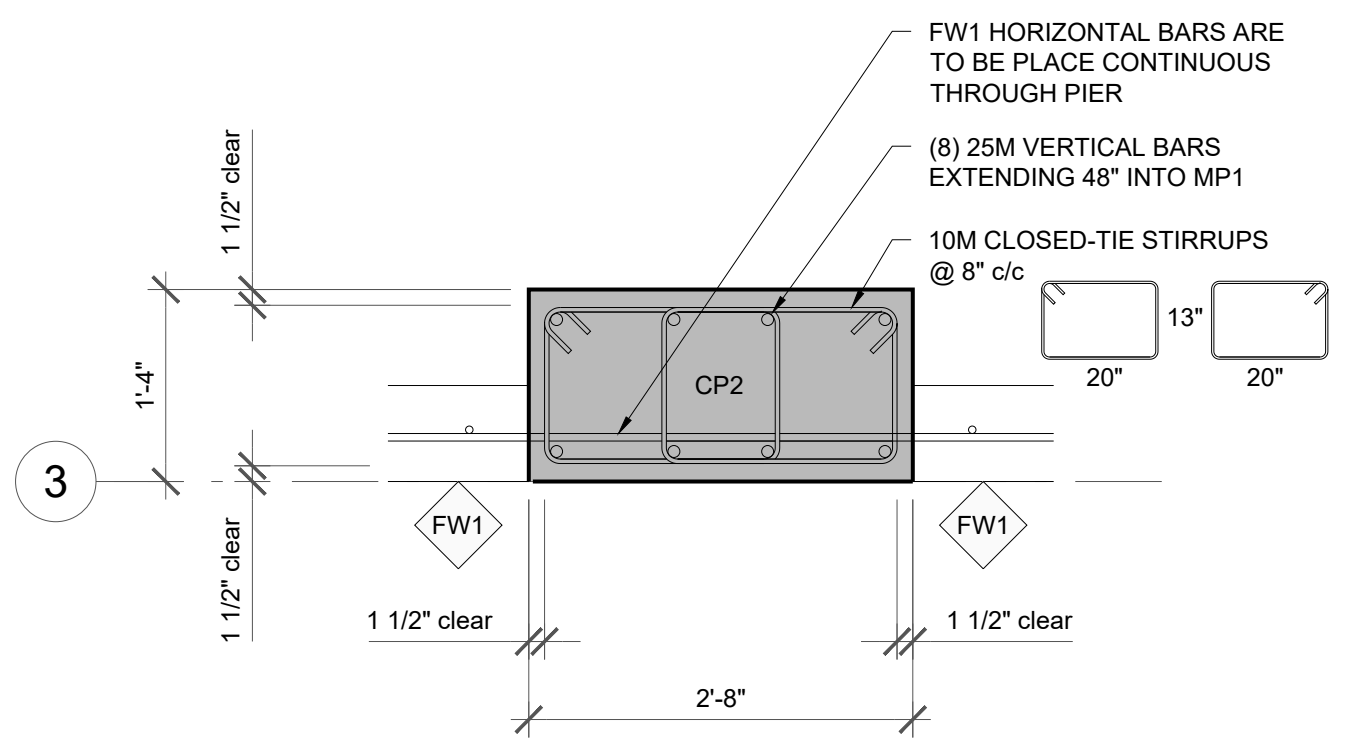
3 FOUNDATION DETAIL FW1
S1.1 SCALE: 3/4"=1'-0"



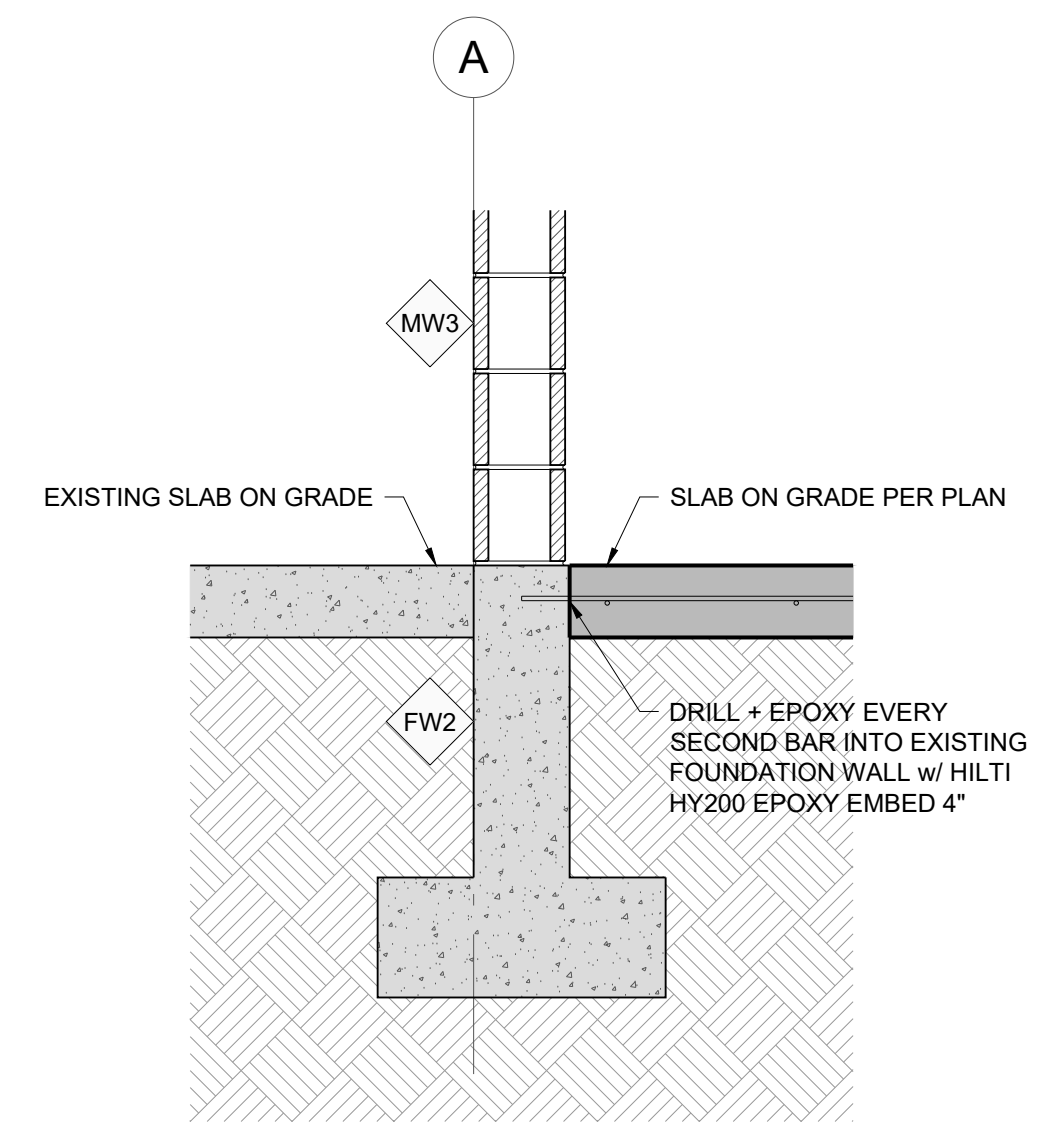
4 TYPICAL CORNER DETAIL U.N.O.
S1.1 SCALE: 3/4"=1'-0"



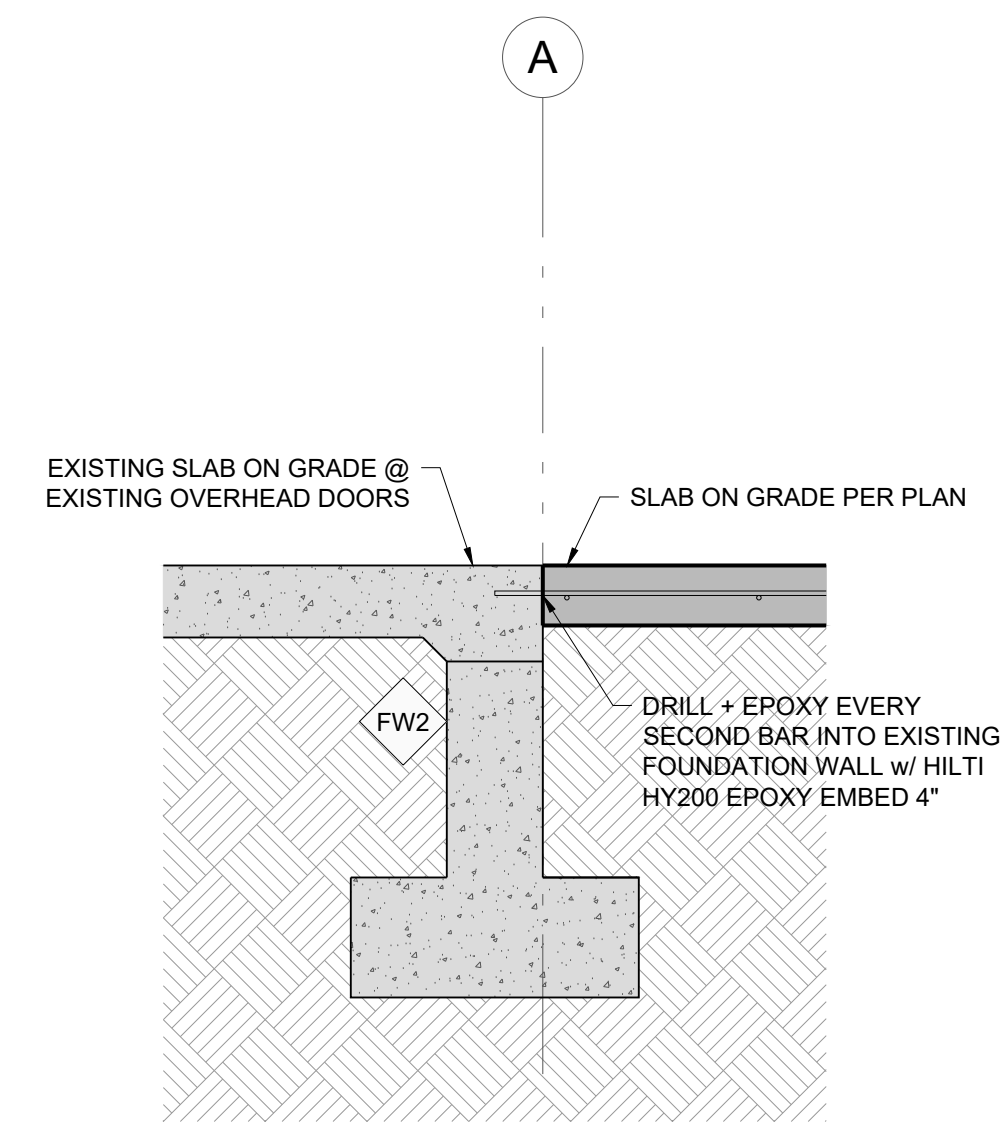
5 FOUNDATION DETAIL CP1
S1.1 SCALE: 3/4"=1'-0"



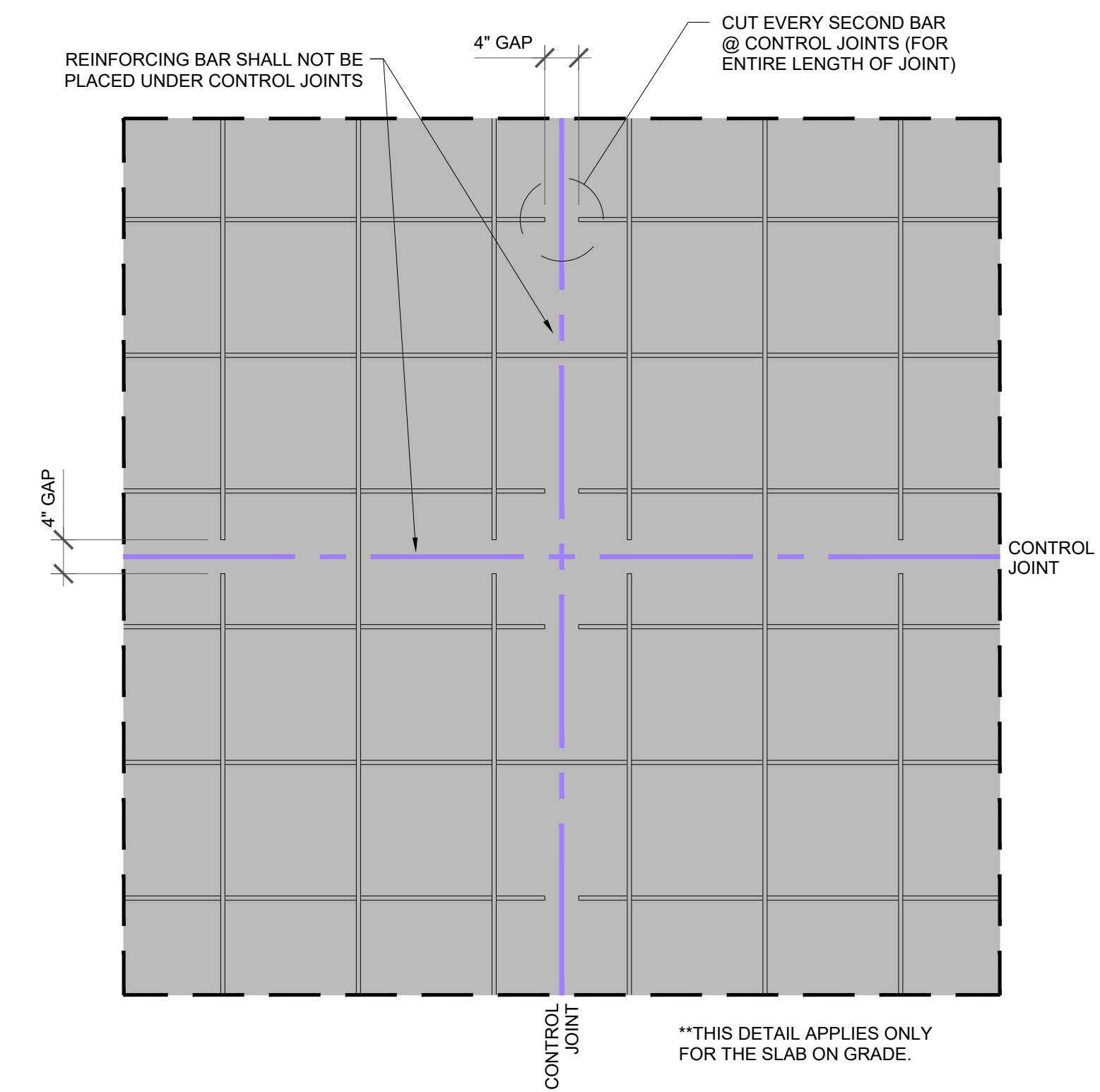
6 FOUNDATION DETAIL CP2
S1.1 SCALE: 3/4"=1'-0"



7 FOUNDATION DETAIL FW1
S1.1 SCALE: 3/4"=1'-0"



8 FOUNDATION DETAIL FW1
S1.1 SCALE: 3/4"=1'-0"



9 TYPICAL SLAB ON GRADE CONTROL JOINT DETAIL
S1.1 SCALE: 3/4"=1'-0"

REVISIONS

NO.	DATE	DESCRIPTION
A	240502	COORDINATION
B	240712	TENDER

PROJECT

**PROPOSED
ADDITION
OPTION 'A'**

FOR

**CITY OF
SALMON ARM
FIRE HALL #2
TRUCK BAY
ADDITION**

200 - 30th STREET SE
SALMON ARM, BC

DRAWING

**FOUNDATION
DETAILS**

FILE

23-400

DATE

12 JULY 2024

SCALE

3/4" = 1'-0"

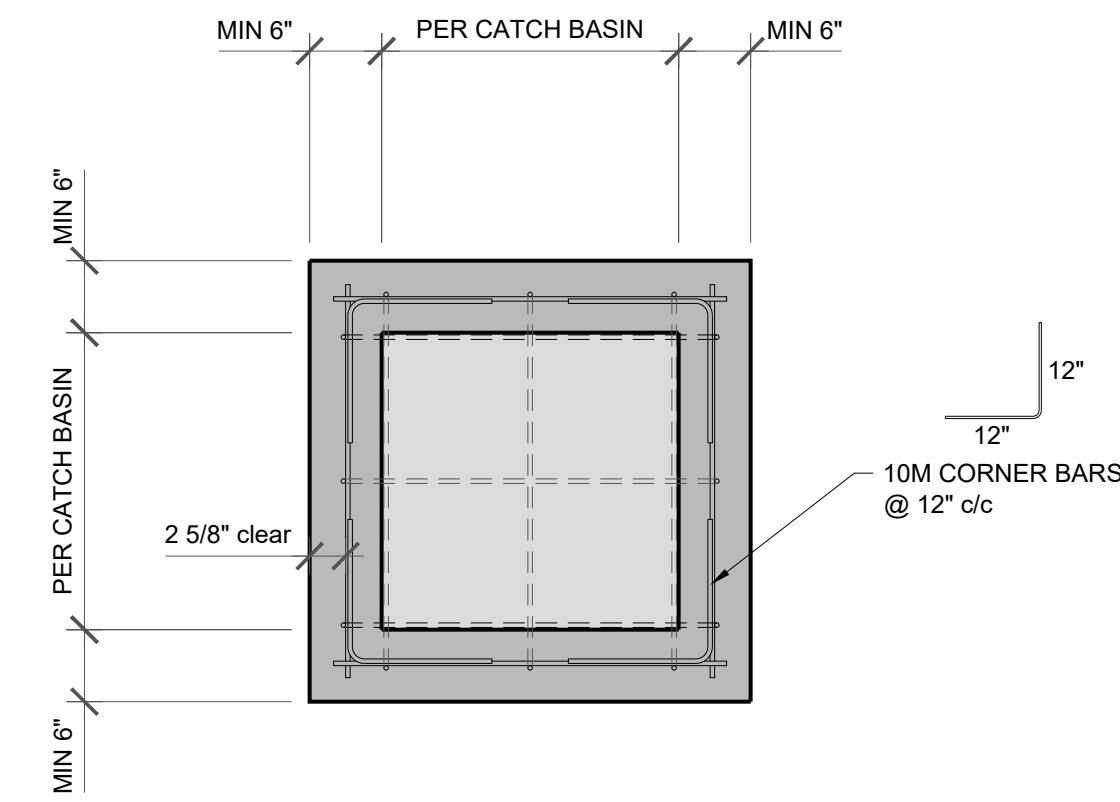
DESIGN

BH

ENGINEER

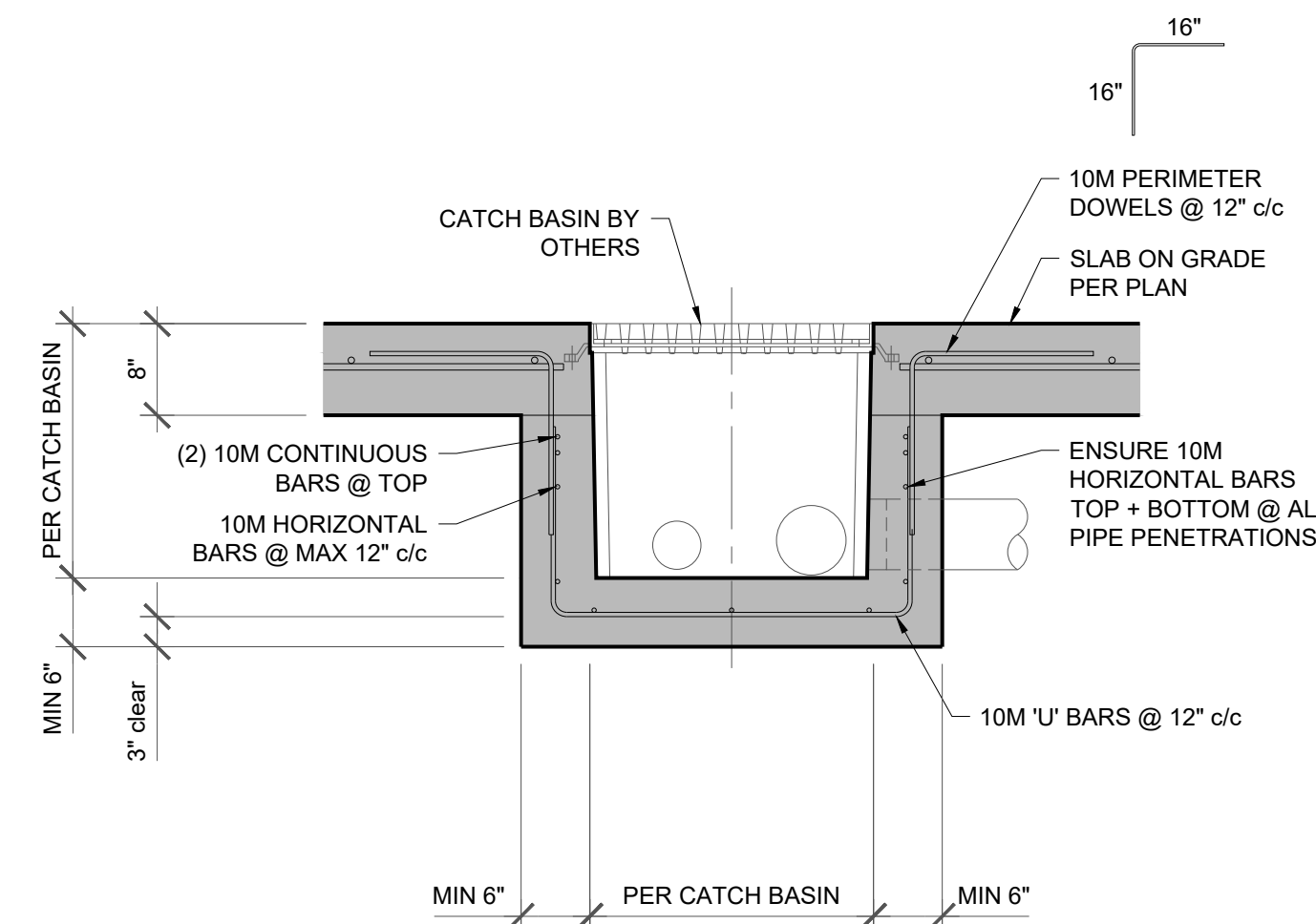
CW

SEAL



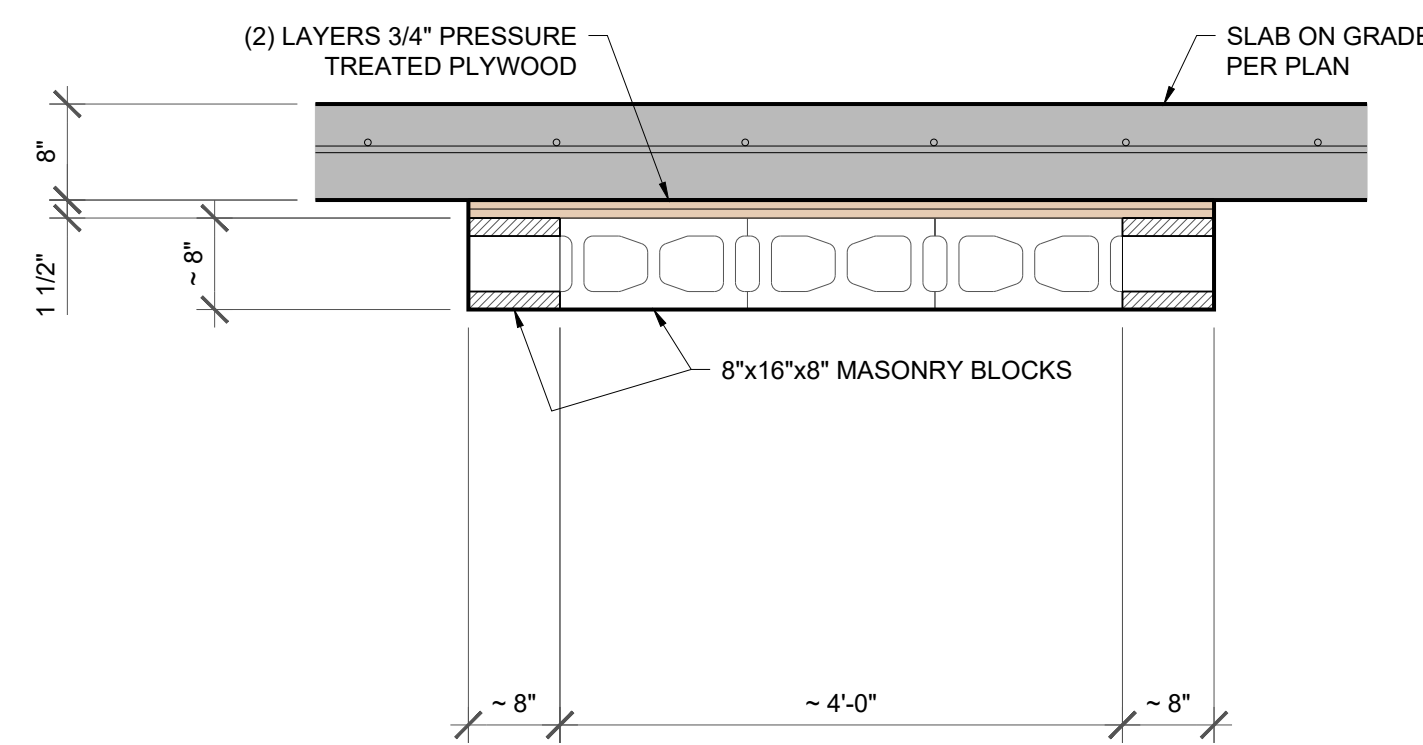
3 CATCH BASIN DETAIL

S1.1 SCALE: 3/4"=1'-0"



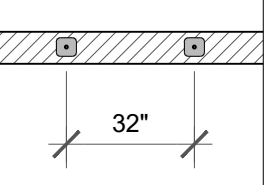
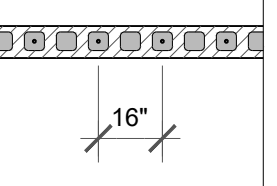
2 CATCH BASIN DETAIL

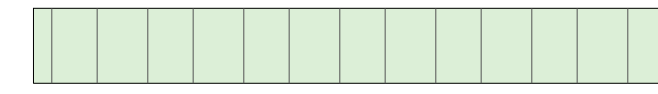

S1.1 SCALE: 3/4"=1'-0"

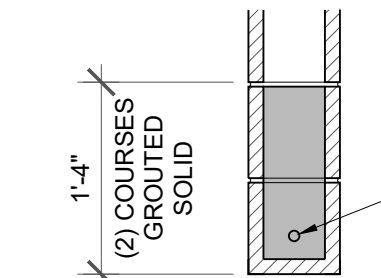
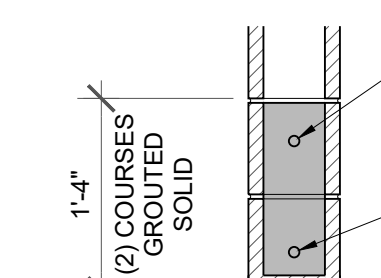


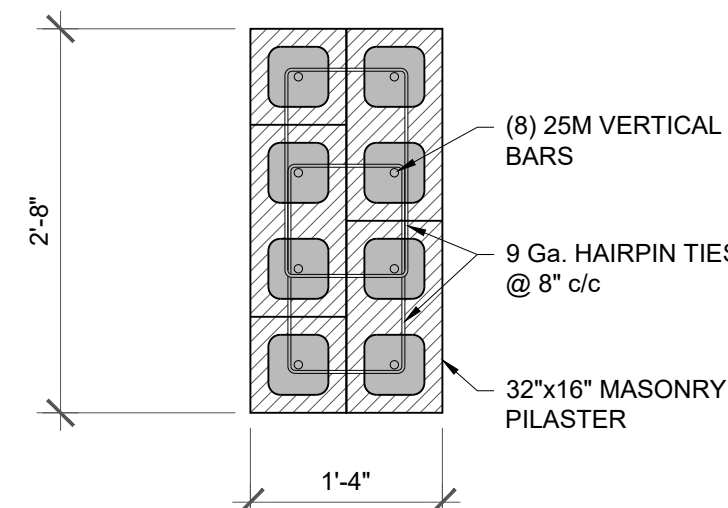
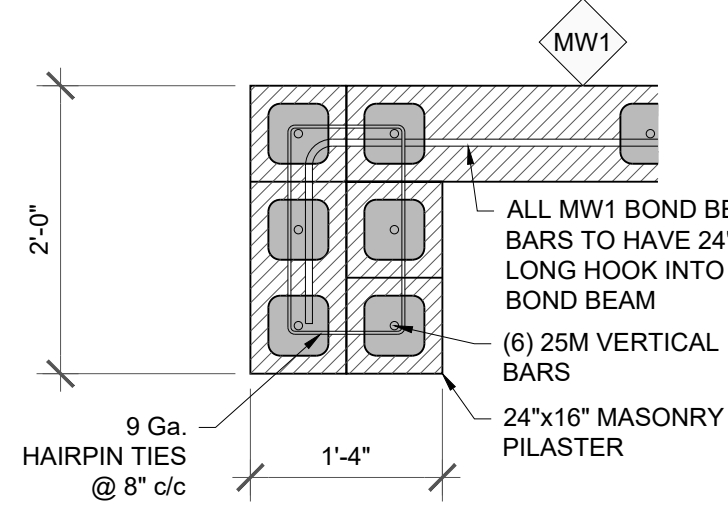
1 RADON PIT DETAIL

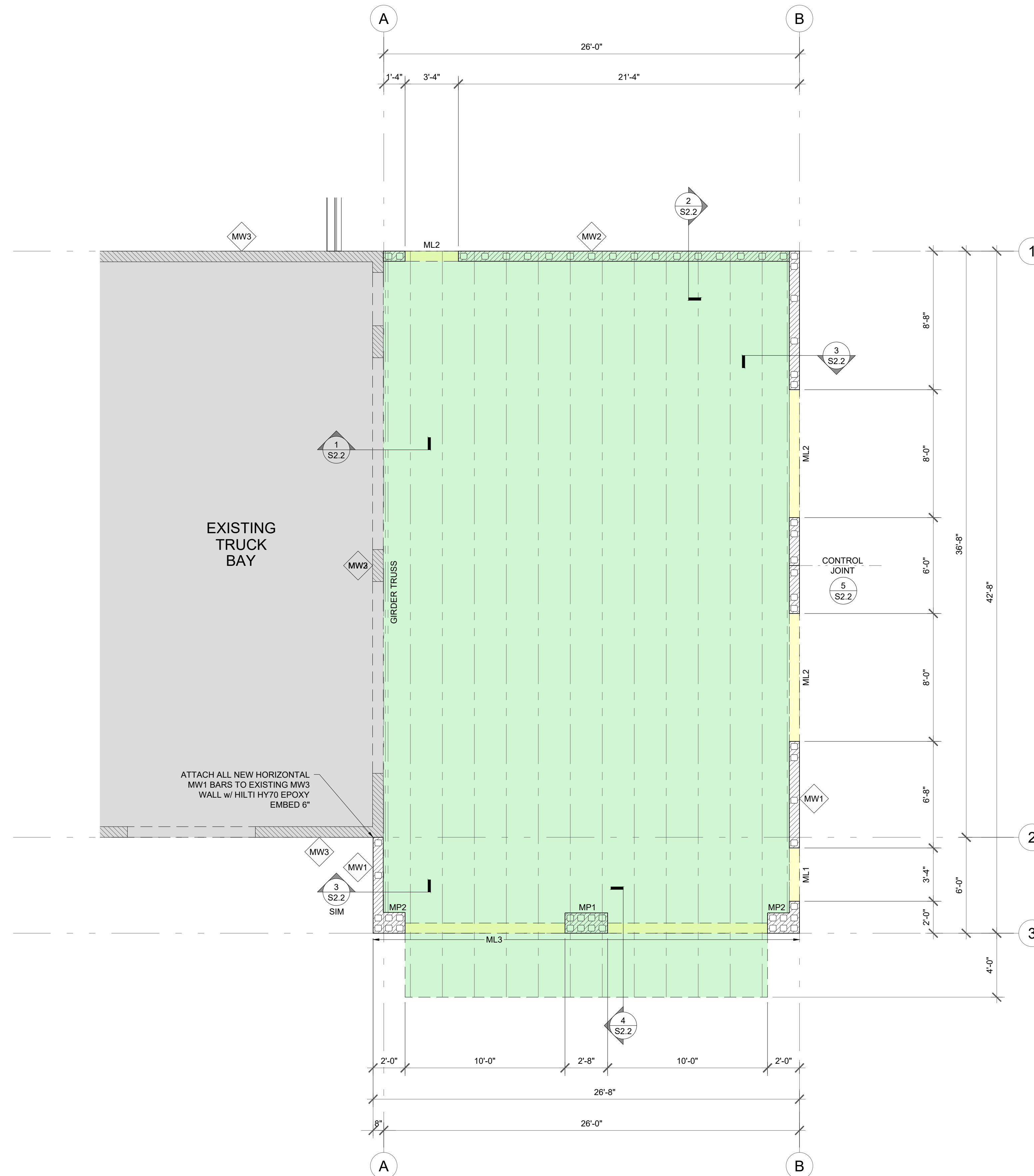
S1.1 SCALE: 3/4"=1'-0"

WALL TYPES	
MW1	 <p>NEW 8" WIDE MASONRY WALL - 15M VERTICAL BARS @ 32" c/c - 15M x 48" LONG DOWELS ARE TO BE CAST WITH FOUNDATION WALL @ ALL WALL VERTICAL LOCATIONS - PLACE BOND BEAMS PER GENERAL NOTES - ALL HORIZONTAL BARS ARE TO BE CONTINUOUS @ CORNERS c/w 24"x24" 20M CORNER BARS</p>
MW2	 <p>NEW 8" WIDE MASONRY WALL - 15M VERTICAL BARS @ 16" c/c - GROUT ALL CORES SOLID - 15M x 48" LONG DOWELS ARE TO BE CAST WITH FOUNDATION WALL @ ALL WALL VERTICAL LOCATIONS - PLACE BOND BEAMS PER GENERAL NOTES - ALL HORIZONTAL BARS ARE TO BE CONTINUOUS @ CORNERS c/w 24"x24" 20M CORNER BARS</p>
MW3	EXISTING 8" SPLIT FACE MASONRY BLOCK WALL

ROOF ASSEMBLIES	
R1	<p>MAIN FLAT ROOF FRAMING - ENGINEERED WOOD ROOF TRUSSES PER MANUFACTURER - MIN 5/8" T&G PLYWOOD SHEATHING SECURED TO JOISTS w/ 2 1/2" COMMON NAILS @ 6" c/c MAX SPACING</p> 
R2	<p>EXISTING ROOF FRAMING - STEEL ROOF DECKING ON ARCHED STEEL ROOF BEAMS</p> 

MASONRY LINTELS	
ML1	 <p>(1) 20M CONTINUOUS BOTTOM BAR (2) COURSES GROUTED SOLID</p>
ML2	 <p>(1) 20M CONTINUOUS TOP BAR (1) 20M CONTINUOUS BOTTOM BAR (2) COURSES GROUTED SOLID</p>
ML3	<p>REFER TO DETAIL 4 / S2.2 - ALL HORIZONTAL BARS SPAN CONTINUOUS FOR THE ENTIRE LENGTH OF GL 3 - 15M VERTICAL BARS ARE PLACED OVER THE OH DOOR OPENINGS ONLY - THE VERTICAL BARS FROM THE MP1 + MP2 MASONRY PILASTERS ARE TO RUN TO THE TOP OF THE WALL</p>

MASONRY PILASTERS	
MP1	 <p>(8) 25M VERTICAL BARS 9 Ga. HAIRPIN TIES @ 8" c/c 32"x16" MASONRY PILASTER</p>
MP2	 <p>ALL MW1 BOND BEAM BARS TO HAVE 24" LONG HOOK INTO BOND BEAM (6) 25M VERTICAL BARS 9 Ga. HAIRPIN TIES @ 8" c/c 24"x16" MASONRY PILASTER</p>



1 ROOF FRAMING PLAN
 SCALE: 1/4"=1'-0"

REVISIONS		
NO.	DATE	DESCRIPTION
A	240502	COORDINATION
B	240712	TENDER

PROJECT
**PROPOSED
 ADDITION
 OPTION 'A'**
 FOR
**CITY OF
 SALMON ARM
 FIRE HALL #2
 TRUCK BAY
 ADDITION**
 200 - 30th STREET SE
 SALMON ARM, BC

DRAWING
**ROOF FRAMING
 PLAN**

FILE
 23-400
 DATE
 12 JULY 2024
 SCALE
 1/4" = 1'-0"
 DESIGN
 BH
 ENGINEER
 CW
 SEAL

PERMIT TO PRACTICE No. 1001581

REVISIONS		
NO.	DATE	DESCRIPTION
A	240502	COORDINATION
B	240712	TENDER

PROJECT
PROPOSED ADDITION OPTION 'A'
FOR
CITY OF SALMON ARM FIRE HALL #2 TRUCK BAY ADDITION
200 - 30th STREET SE
SALMON ARM, BC

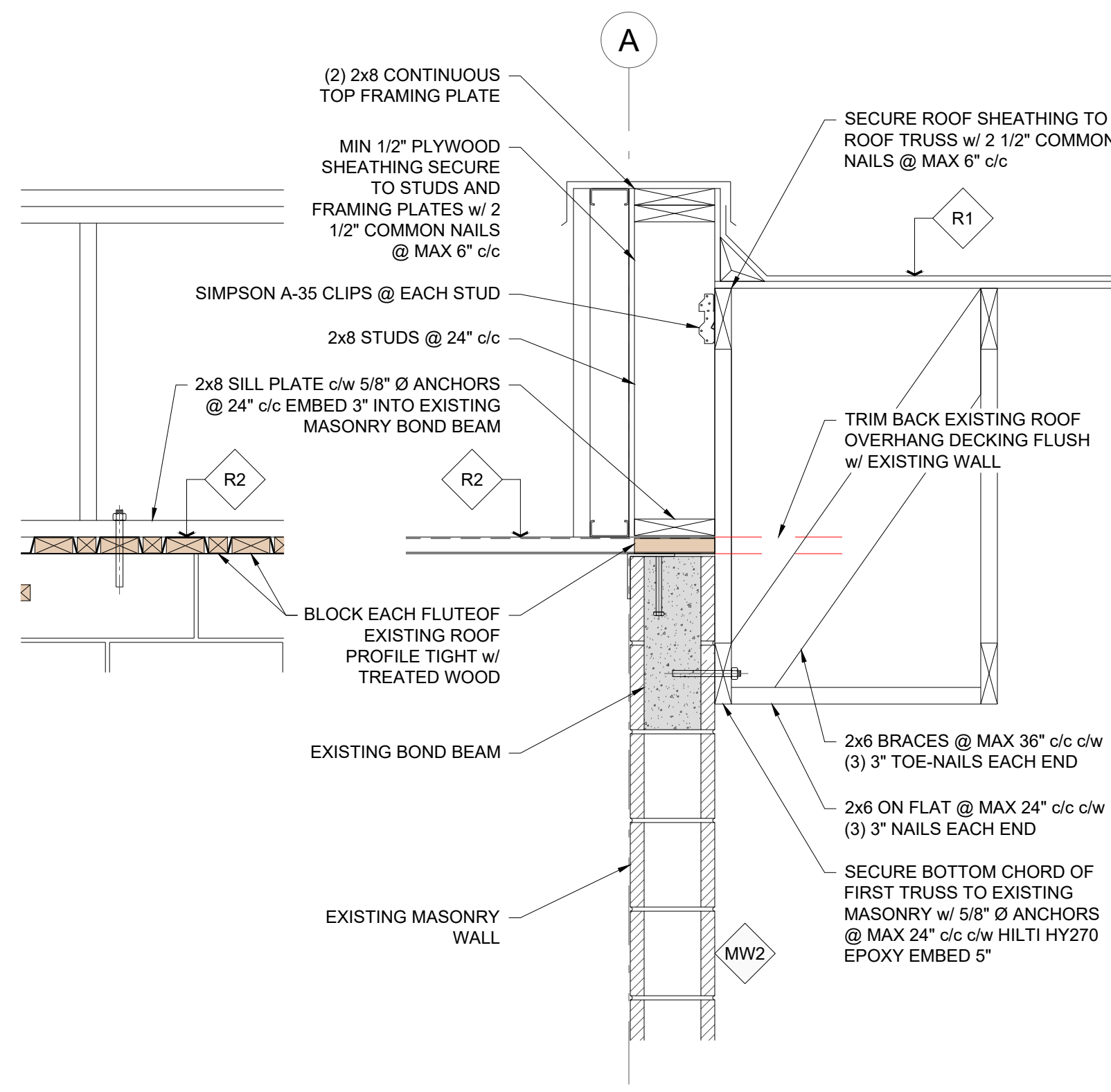
DRAWING
FOUNDATION DETAILS

FILE
23-400
DATE
12 JULY 2024
SCALE
1" = 1'-0"
DESIGN
BH
ENGINEER
CW
SEAL

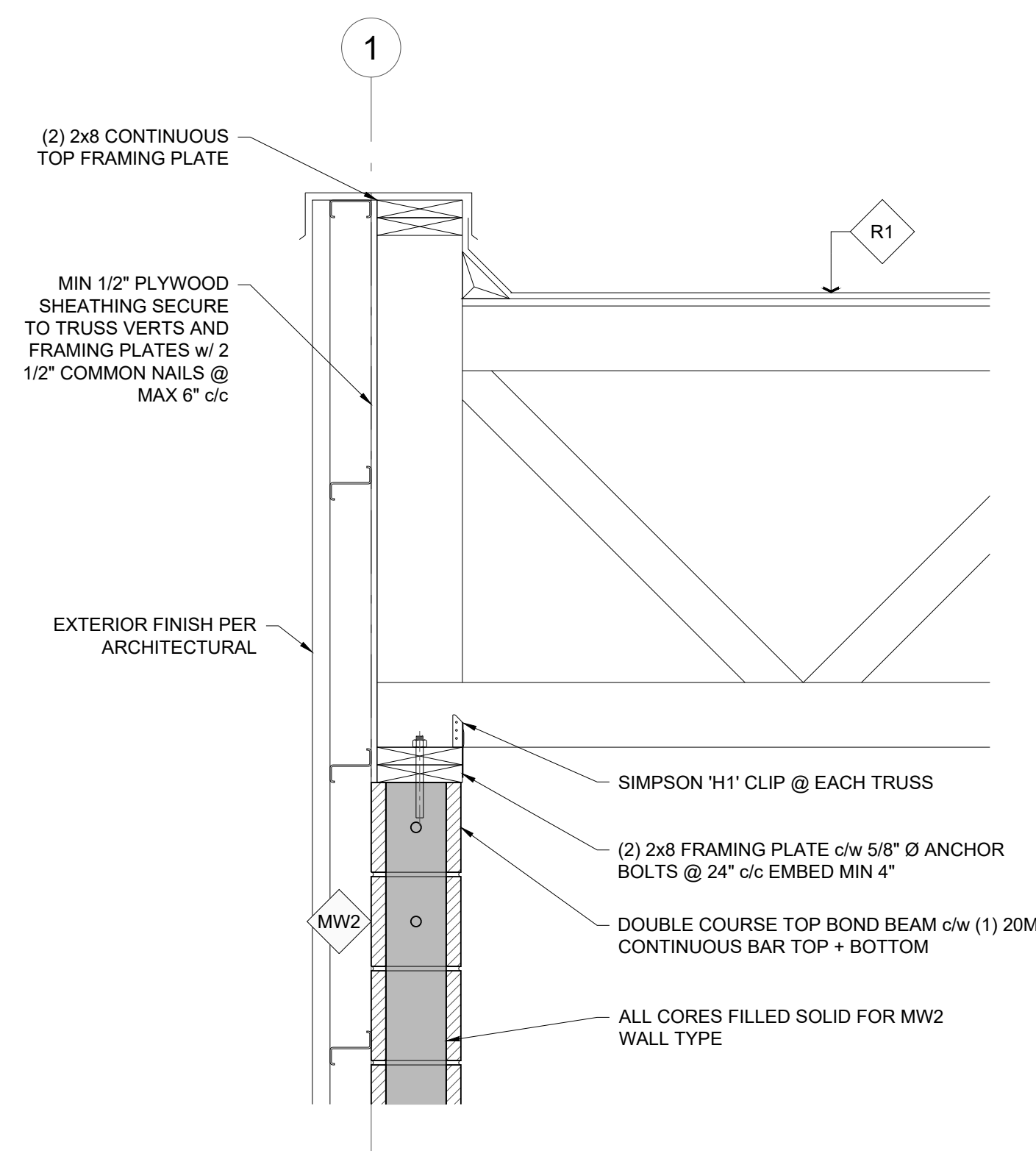
PERMIT TO PRACTICE No. 1001581

SHEET NUMBER REV

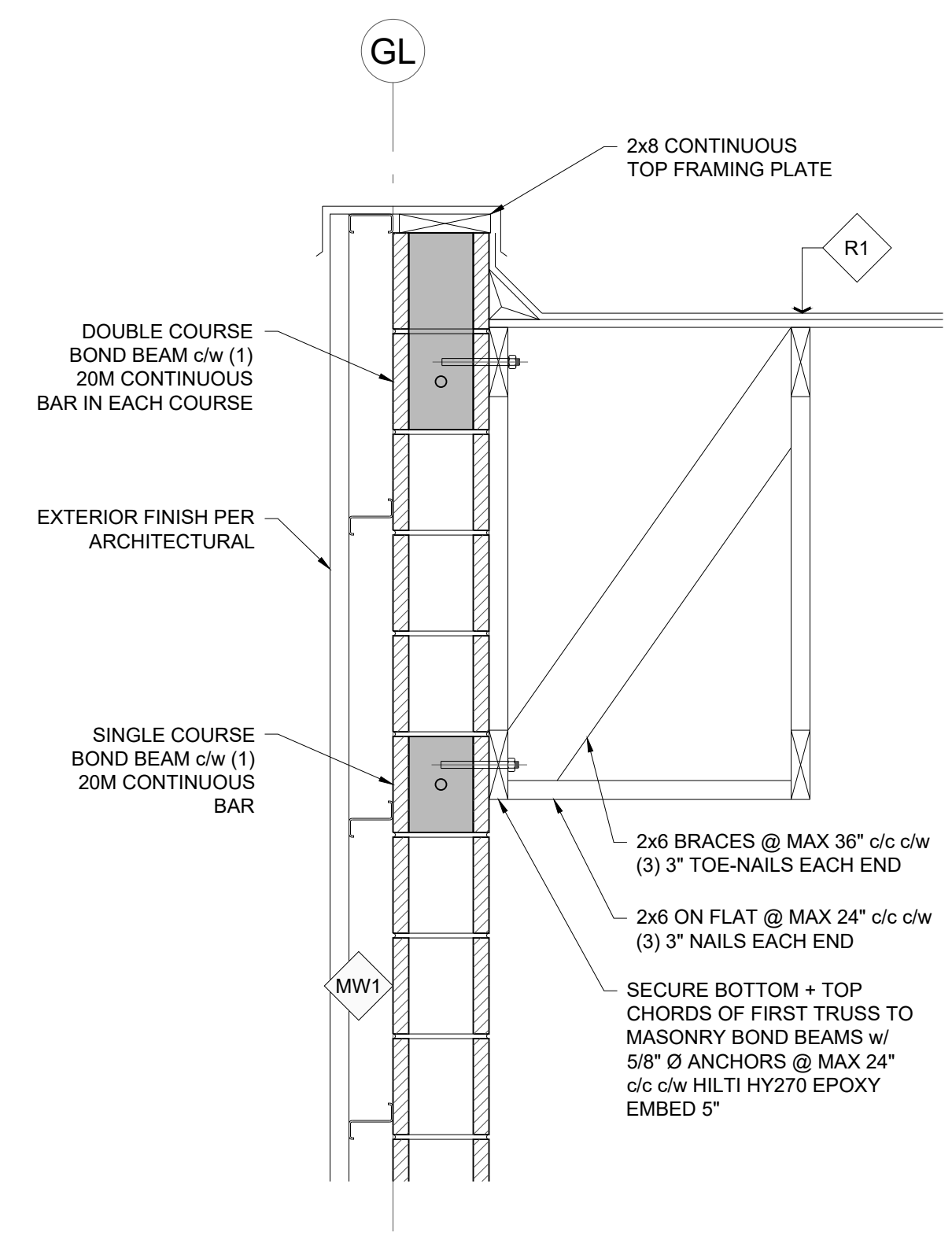
S2.2 B



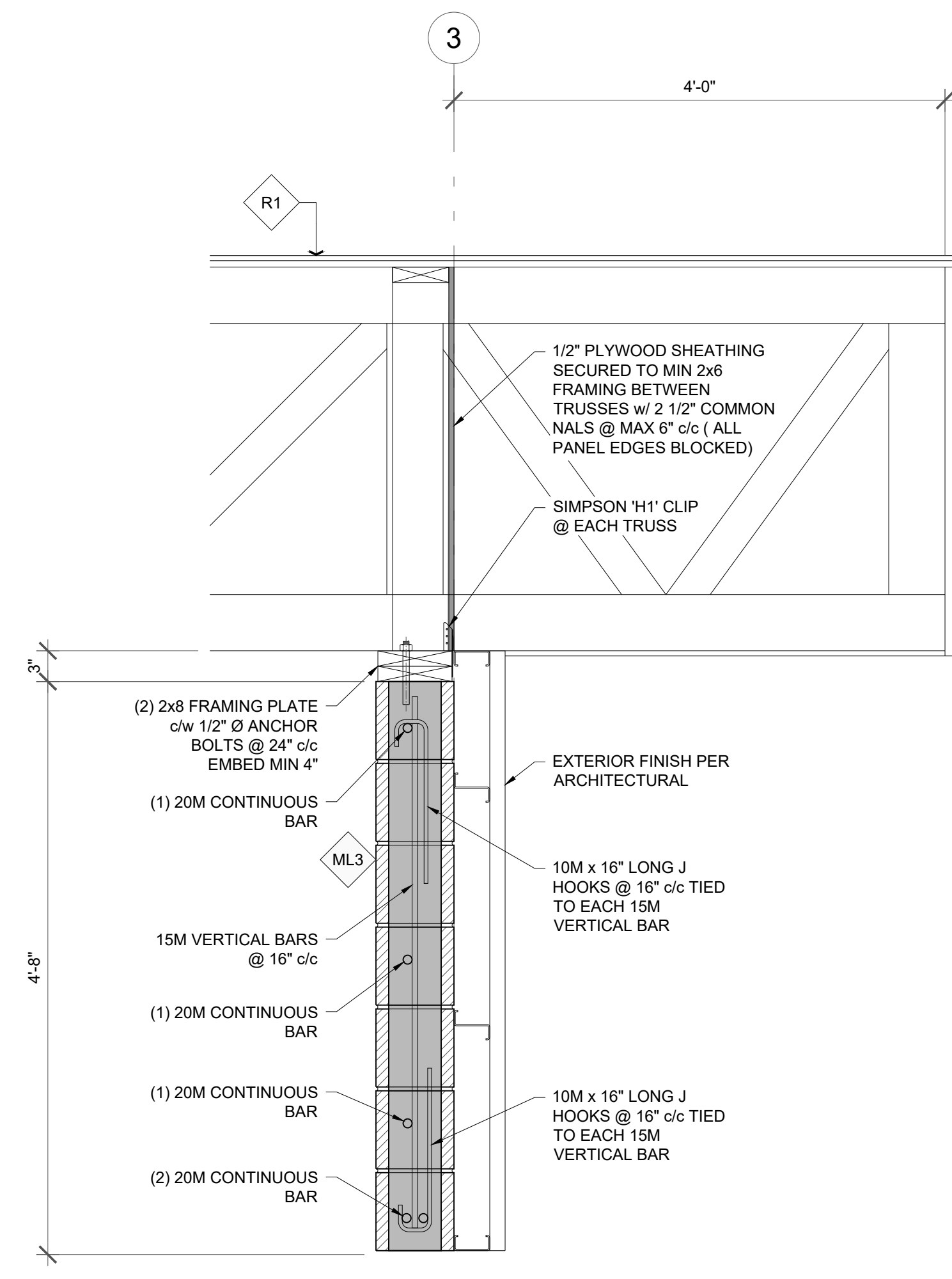
1 ROOF FRAMING DETAIL
S2.1 SCALE: 1"=1'-0"



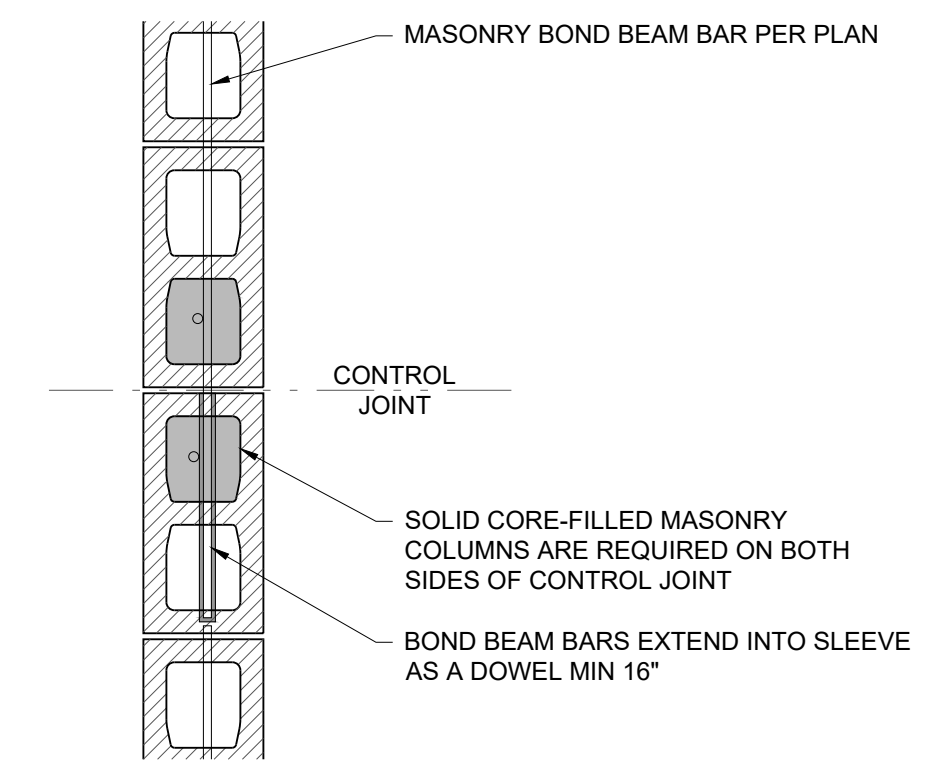
2 ROOF FRAMING DETAIL
S2.1 SCALE: 1"=1'-0"



3 ROOF FRAMING DETAIL
S2.1 SCALE: 1"=1'-0"



4 ROOF FRAMING DETAIL
S2.1 SCALE: 1"=1'-0"



5 MASONRY CONTROL JOINT DETAIL
S2.1 SCALE: 1"=1'-0"